



# INGEGNERIA DEGLI IDROCARBURI

Engineering & Construction Industrial Plants



# COMPANY PROFILE



Since 1970, **idi** INGEGNERIA DEGLI IDROCARBURI has been collaborating with the largest Main Contracting and Operating companies in the refining and petrochemical fields, becoming a point of reference as a plant engineering company.

Today the customer finds in **idi** a reliable partner able to develop the entire path of a project, starting from the process feasibility study to detailed engineering with assistance and technical supervision in construction and start-up.

# COMPANY ACTIVITIES

- ✓ Process
- ✓ Oil, Gas & Water Pipelines And Networks
- ✓ Plant engineering and main items
- ✓ Civil works & structures
- ✓ Electric plants
- ✓ Instrumentation and control systems
- ✓ Project management
- ✓ Procurement
- ✓ Data processing
- ✓ Other Activities



# OUR SERVICES

## PROCESS

- Process optimization and feasibility studies
- Process Flow Diagrams for process and utilities
- Heat and material balances
- Piping and Instrument Diagrams for process and utilities
- Process data sheets for process and utilities equipment including package plants
- Assistance to Clients for patented process purchase and application
- Process operating manuals
- Assistance to plant start up and troubleshooting

## PLANT ENGINEERING AND MAIN ITEMS

- Study of general plot plan
- Detailed Piping and Instruments Diagrams (P&I), piping design specification
- Plant layouts, assembly drawings, isometrics, piping supports, etc.
- Piping material take - offs
- Piping Stress Analysis
- Equipment design according to international codes, including data sheets, purchasing specification and construction drawings
- Machinery detailed data sheets, technical evaluation and purchasing specification

## OIL, GAS & WATER PIPELINES AND NETWORK

- Fluids dynamic design
- Compression and pumping stations analysis and design
- Techno - economical evaluation
- Hot pipeline studies
- Topographic surveys of lines
- Detailed surveys for main crossings
- Detailed piping design (material, thickness, insulation, etc.)

## CIVIL WORKS & STRUCTURES

- Topographic surveys for site definition
- Earth moving studies
- Architectural and industrial design, including calculations, estimates and detailed drawings for:
- Reinforced concrete buildings for cast and pre-cast construction
- Machinery and equipment foundations
- Steel structures
- Sewers and drainage systems
- Plants and basins for industrial waters treatment
- Storage tanks foundations
- Road and railways inside plant and connection to external grids
- Bridges and crossings

# OUR SERVICES

## ELECTRIC PLANTS

- Electric balances
- Basic and detailed electric diagrams
- Development of techno - economical evaluations
- Detailed data sheets, technical evaluation and purchasing specification relevant to control boards, transformers, d.c. and a.c. motors, etc.
- Classification of hazardous areas according to international codes
- Network and ground lines study with relevant data sheets
- Lighting and communication plants

## PROJECT MANAGEMENT

- Client connection and contract managing
- Project coordination and control, particularly about planning, cost control and quality assurance, etc.

## INSTRUMENTATION & CONTROL SYSTEMS

- Detailed Piping and Instruments Diagrams (P&I)
- Detailed data sheets for instruments, control and safety valves
- Instrument diagrams
- System automation and Process Control (DCS, PLC, etc.)
- Technical evaluation and purchasing specification

## PROCUREMENT

- Offer enquiries, commercial evaluations, orders issues, etc; on the basis of the material requisitions coming from the Technical Departments
- Vendor list issue
- Market researches
- Expediting
- Shop inspection and testing

# OUR SERVICES

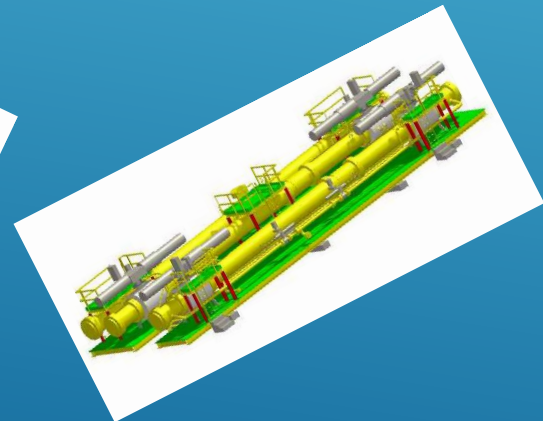
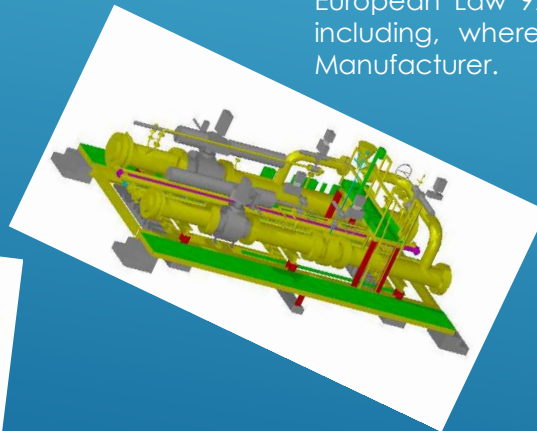
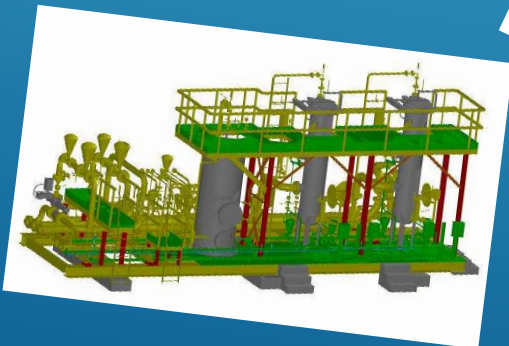
## IT DEPARTMENT

As a support of technical and managing activities, **idi** avails itself of a proper IT Department, with its own engineers and Information Technology experts for:

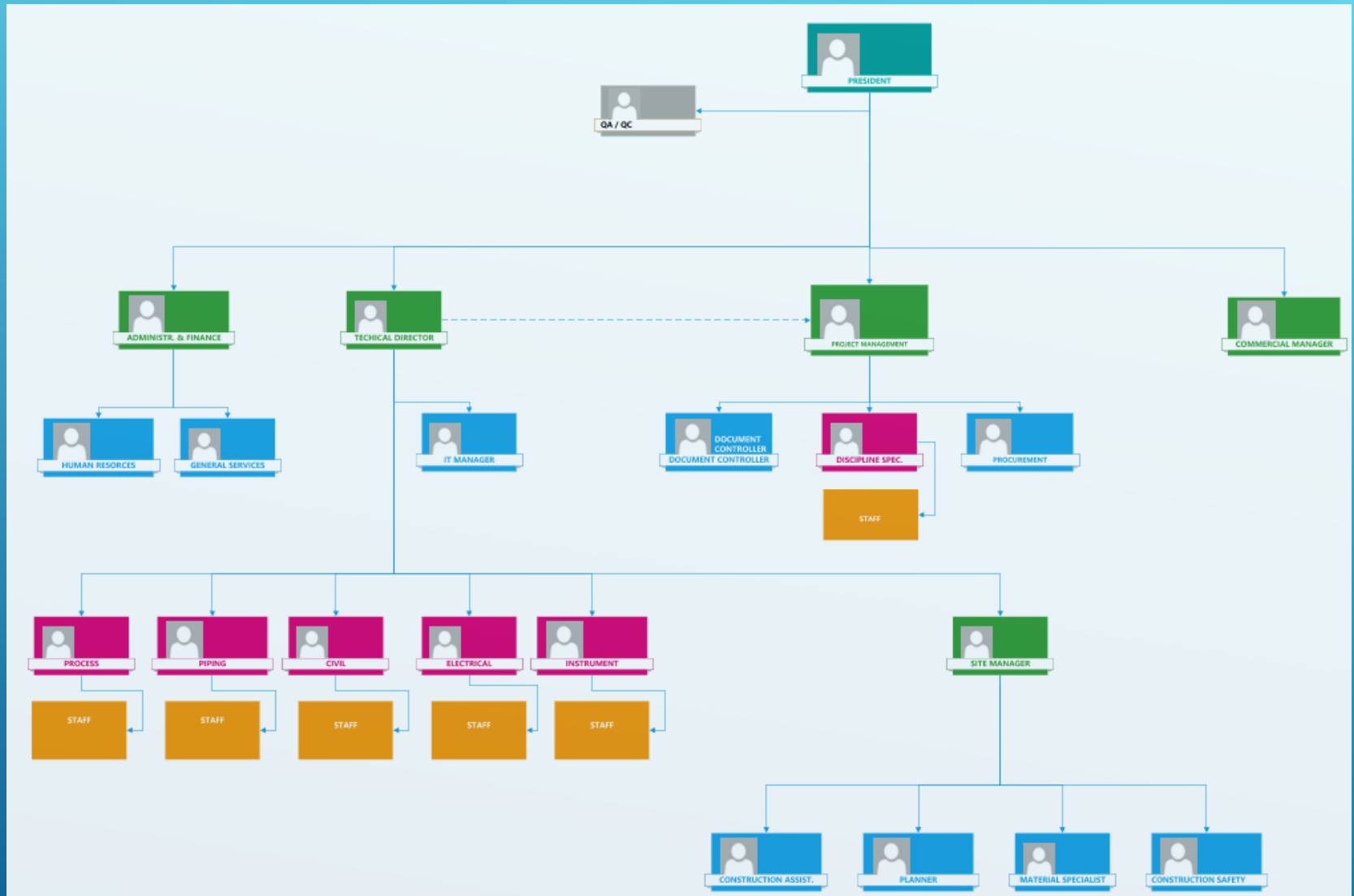
- Software development and Technical Information Management of packages according to the company organization chart and to end user working systems
- Software interface procedures to Customers' systems or to third party programs

## OTHER ACTIVITIES

- Supply of Oil & Gas and Petrochemicals Process and Utilities skid-mounted system
- Operating, mechanical and maintenance manuals production
- General and detailed specifications for field erection contracts (civil, mechanical, electric and instrumental works)
- Technical assistance during erection, testing and start-up of process plant
- Control services and document preparation to get CE marking according to D.L. N. 93 dated 25/02/00 and European Law 97/23/CE (Pressure Equipment Directive) including, where required by Customer, role of PED Manufacturer.



# PROJECT ORGANIZATION CHART



# OUR CLIENTS

## EPC & Main Contractors

Siirtecnigi



Sices Construction



Erg Petroli



Saipem



Snamprogetti



Tecnomare



Abb



Kti - Lurgi - Paragon Litwin

Tectubi



Fortum – Neste Engineering



U.R.S.



Bonatti Group



## End Users / Industries

Iplom



Sarlux-Saras



Tamoil



Eni div. Agip



Rusal-Eurallumina





# GENERAL INFORMATION

**idi** INGEGNERIA DEGLI IDROCARBURI

Establishing year 1970

Head & Technical office Via Boncompagni 3/b – 20139 Milano (Italy)

Telephone +39.02.55211247 +39.02.57403428

E-mail [idimain@idispa.com](mailto:idimain@idispa.com)

Contact names Carmine Schito mobile +39 348 2519556  
Pietro Vignati mobile +39 348 0846592

**idi** home offices is in Milan, plus a task force located in Cagliari to give support to Saras Refinery engineering activities.

**idi**, RP-SARDA e S.Y.AS have promoted a collaboration, through an ATI, combining their knowledge, skills and experience to offer complete engineering services in the Oil & Gas and Industrial sectors. This union allows you to tackle much more demanding projects by having a single interlocutor.

